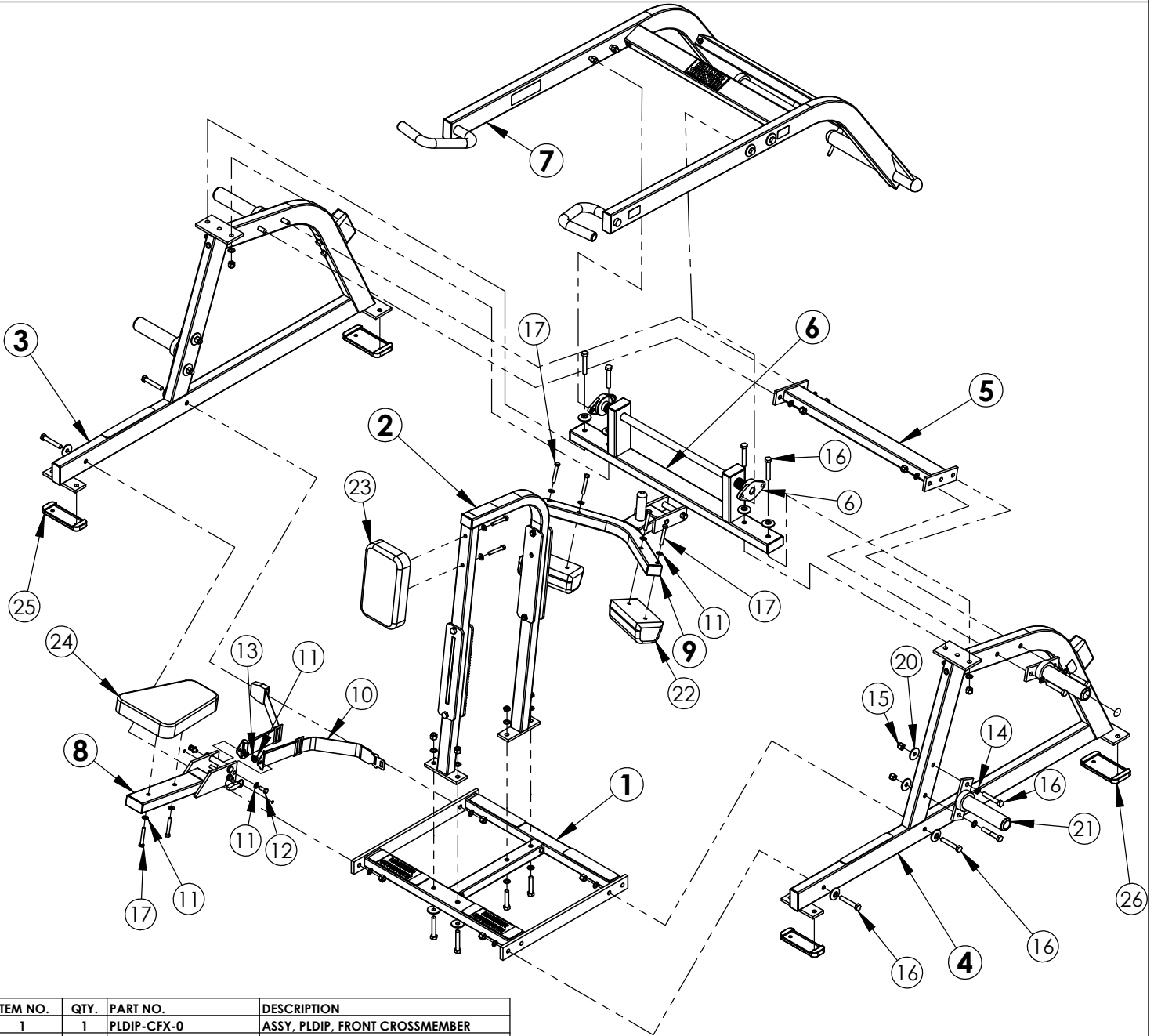


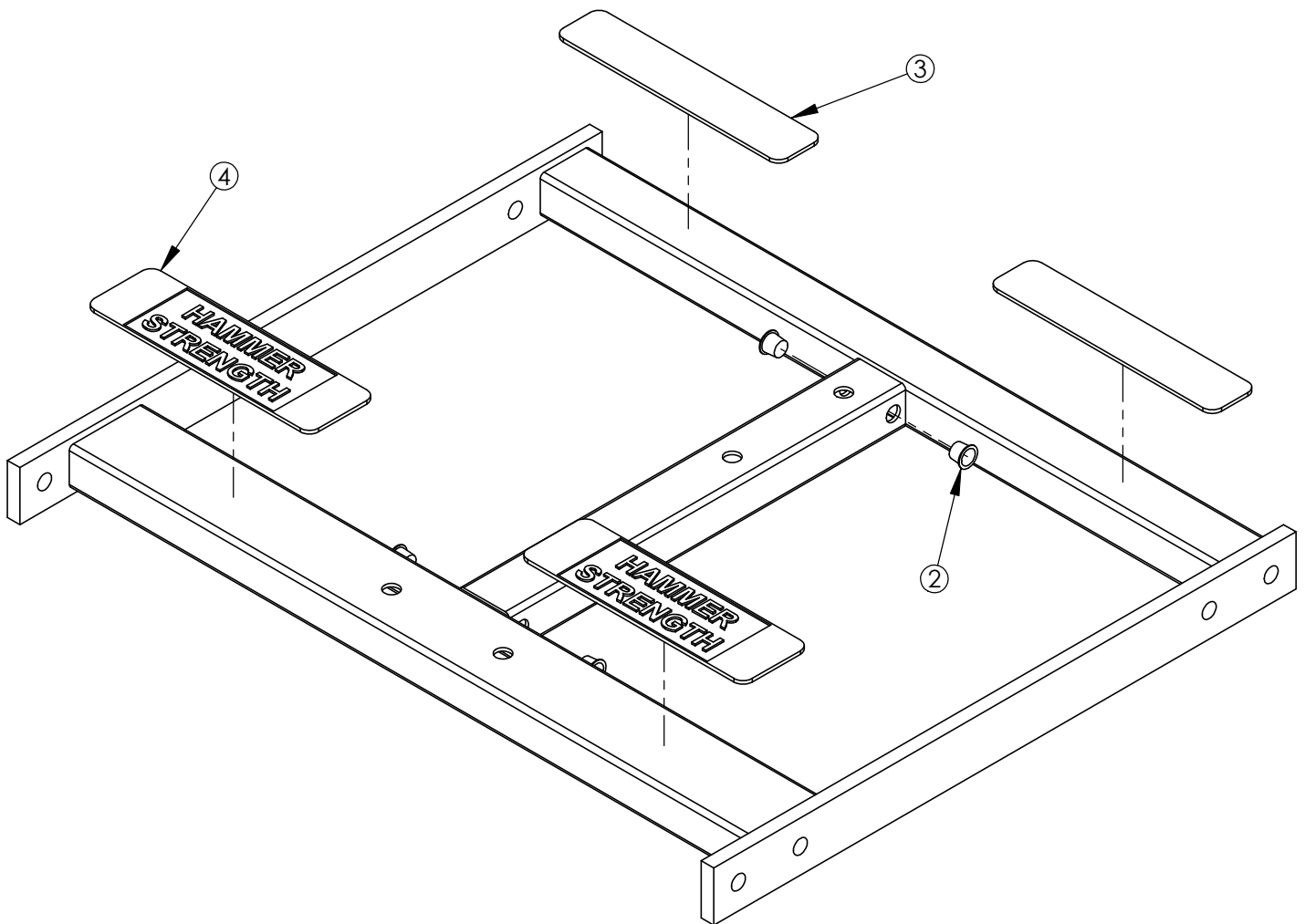
WEIGHT = 281 lb  
LENGTH = 67"  
WIDTH = 38"  
HEIGHT = 42"

# HAMMER STRENGTH EQUIPMENT EXPLODED VIEW



ITEM NO.	QTY.	PART NO.	DESCRIPTION
1	1	PLDIP-CFX-0	ASSY, PLDIP, FRONT CROSSMEMBER
2	1	PLDIP-CST-0	ASSY, PLDIP, SEAT FRAME
3	1	PLDIP-CSFL-1	ASSY, PLDIP, LEFT SIDE FRAME
4	1	PLDIP-CSFR-1	ASSY, PLDIP, RIGHT SIDE FRAME
5	1	PLDIP-BX-0	WLDMT, PLDIP, BOTTOM X-MEM
6	1	PLDIP-CTX-0	ASSY, PLDIP, TOP CROSSMEMBER
7	1	PLDIP-CMA-3	ASSY, PLDIP, MOVEMENT ARM
8	1	CSTD-ST-1	ASSY, STD ST
9	1	CST4-C01	ASSY, STD SEAT 4
10	1	SEATBELT-ASSEM	SEATBELT, COMPLETE
11	12	WASH.375SAE	3/8" SAE FLAT WASHER
12	2	HHB.375X1	STEEL BOLT 3/8 X 1
13	2	NUT.375JAMLOCK	3/8 THIN LOCK NUT
14	26	WASH.5STAR	1/2" INTERNAL LOCK WASHER
15	18	NUT.5LOCK	1/2 DIA THICK LOCK NUT
16	18	HHB.5X3	1/2 X 3 BOLT
17	8	HHB.375X2.5	STEEL BOLT 3/8 X 2.5
18	2	NUT.5JAMLOCK	1/2 THIN LOCK NUT
19	2	HHB.5X2.5	1/2 X 2 1/2 BOLT
20	14	H-BACK-WASH	BACKING WASHER
21	4	H-HORN-ASSY	ASSY, WEIGHT HORN
22	2	U-4W	KNEE PAD
23	1	U-10-4.5	PAD, 10-4.5
24	1	U-12-5	SEAT PAD
25	2	MM-8	2 X 6 FLANGE RUBBER SLIPPER
26	2	MM-9	3 X 6 FLANGE RUBBER SLIPPER

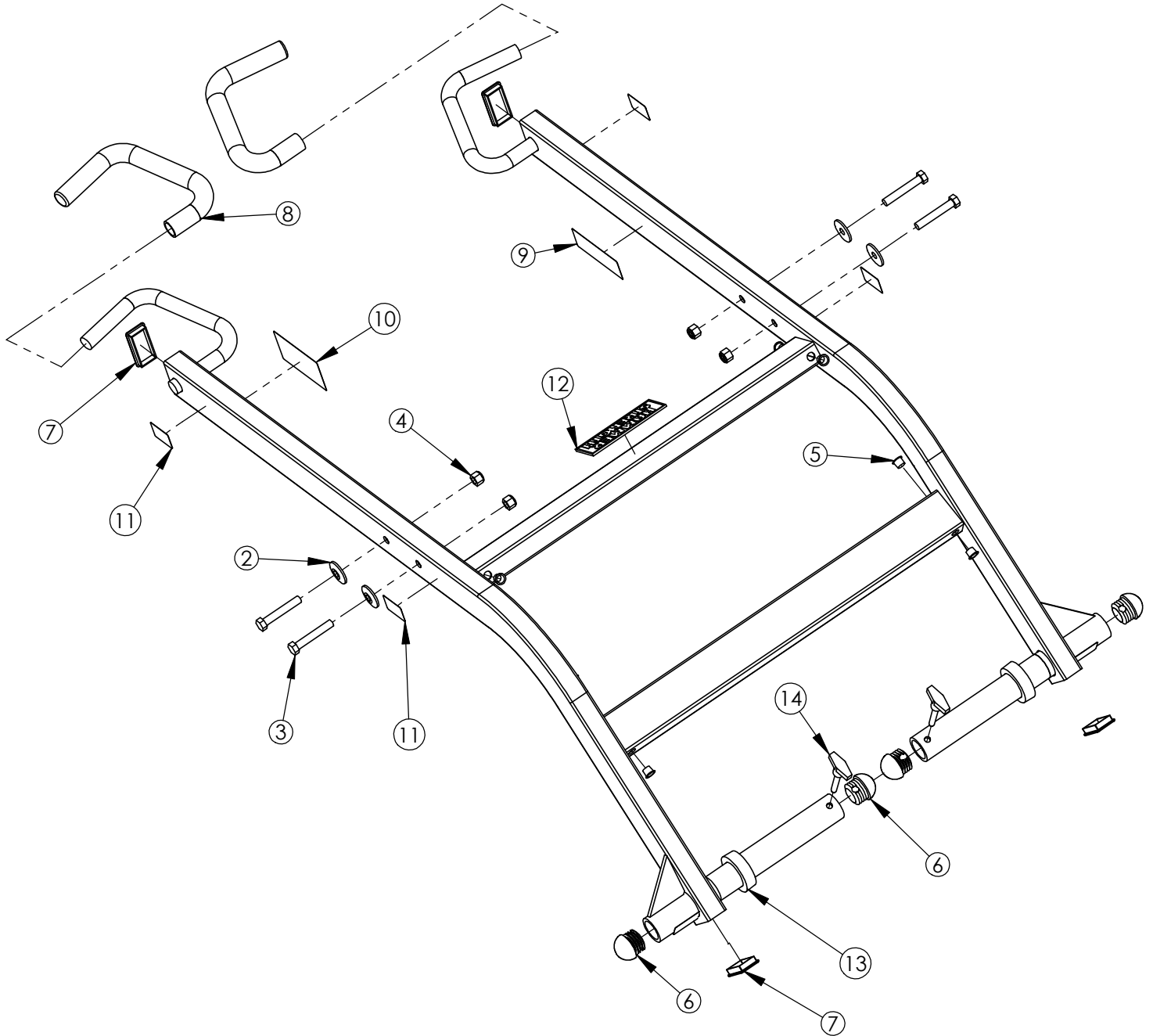
**HAMMER STRENGTH EQUIPMENT  
 PLDIP-CFX-0, ASSY, PLDIP, FRONT CROSSMEMBER**



ITEM NO.	QTY.	PART NO.	DESCRIPTION
2	4	H-HPLUG (REG)	9/16IN HOLE PLUG
3	2	H-NONSKID 2X9	PLASTIC NON SKID STRIP 2 X 9
4	2	H-NONSKID 3X9	PLASTIC NON SKID STRIP 3 X 9

WEIGHT = 32 lb  
 LENGTH = 23 1/2"  
 WIDTH = 28 1/2"  
 HEIGHT = 2"

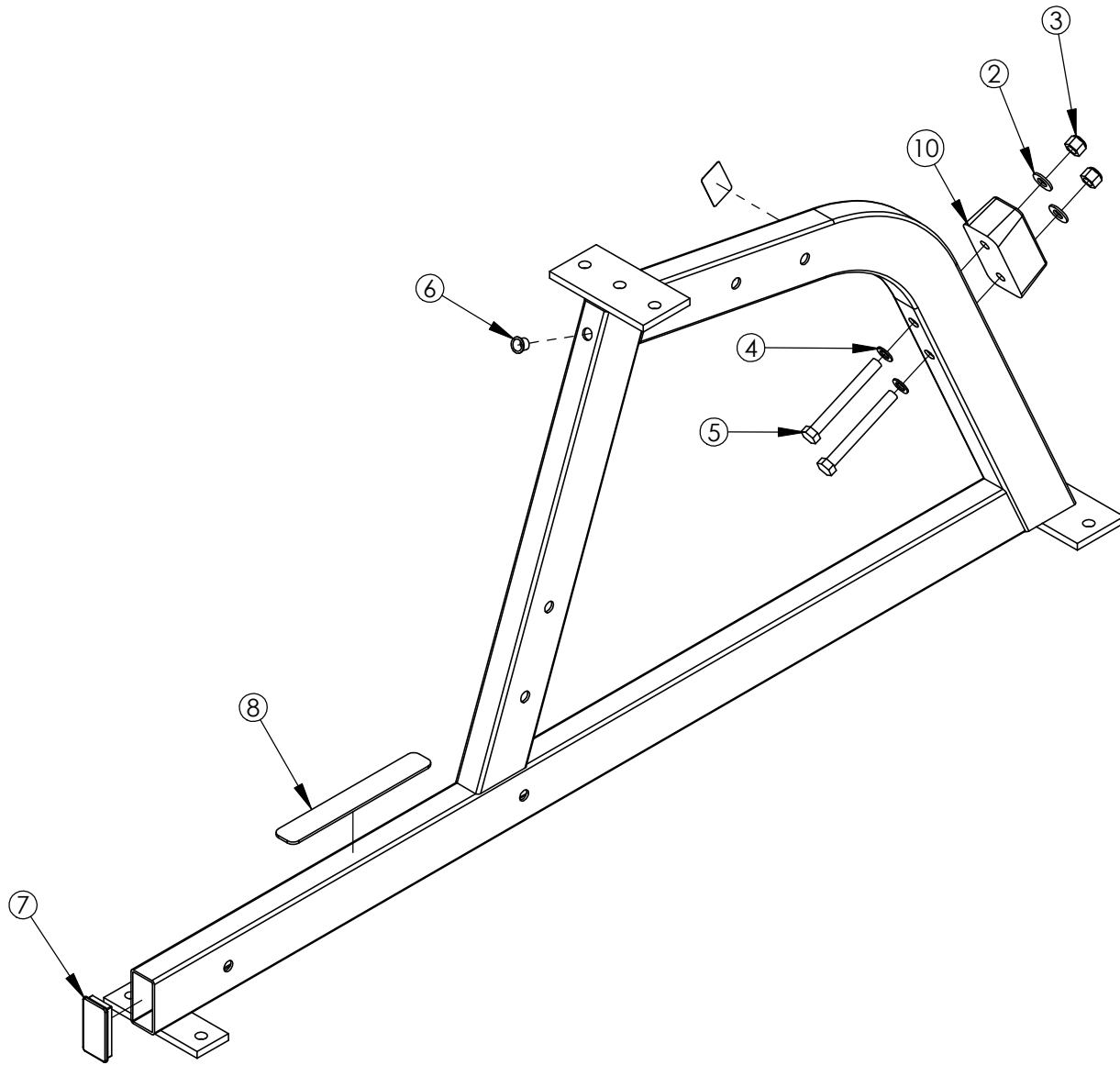
# HAMMER STRENGTH EQUIPMENT PLDIP-CMA-3, ASSY, PLDIP, MOVEMENT ARM



ITEM NO.	QTY.	PART NO.	DESCRIPTION
2	4	H-BACK-WASH	BACKING WASHER
3	4	HHB.5X3	1/2 X 3 BOLT
4	4	NUT.5LOCK	1/2 DIA THICK LOCK NUT
5	8	H-HPLUG (REG)	9/16IN HOLE PLUG
6	4	RUBCAP1-2	RUBBER CAP #1
7	4	RC1530-1Q1	CAP:1-1/2 X 3 RECTANGLE PLUG
8	2	H-GRIP	HANDLE GRIPS (.938X16)
9	1	IDSD	PRODUCT DECAL
10	1	8773701	ASTM LABEL
11	6	STAY CLEAR	STAY CLEAR DECAL
12	1	H-NAME PLATE	NAMEPLATE (45156-P)
13	2	H-RUBRNG	MM5 RING
14	2	SELECTOR PIN-3	SELECTOR PIN 3 IN.

WEIGHT = 72 lb  
 LENGTH = 66 1/2"  
 WIDTH = 39"  
 HEIGHT = 15"

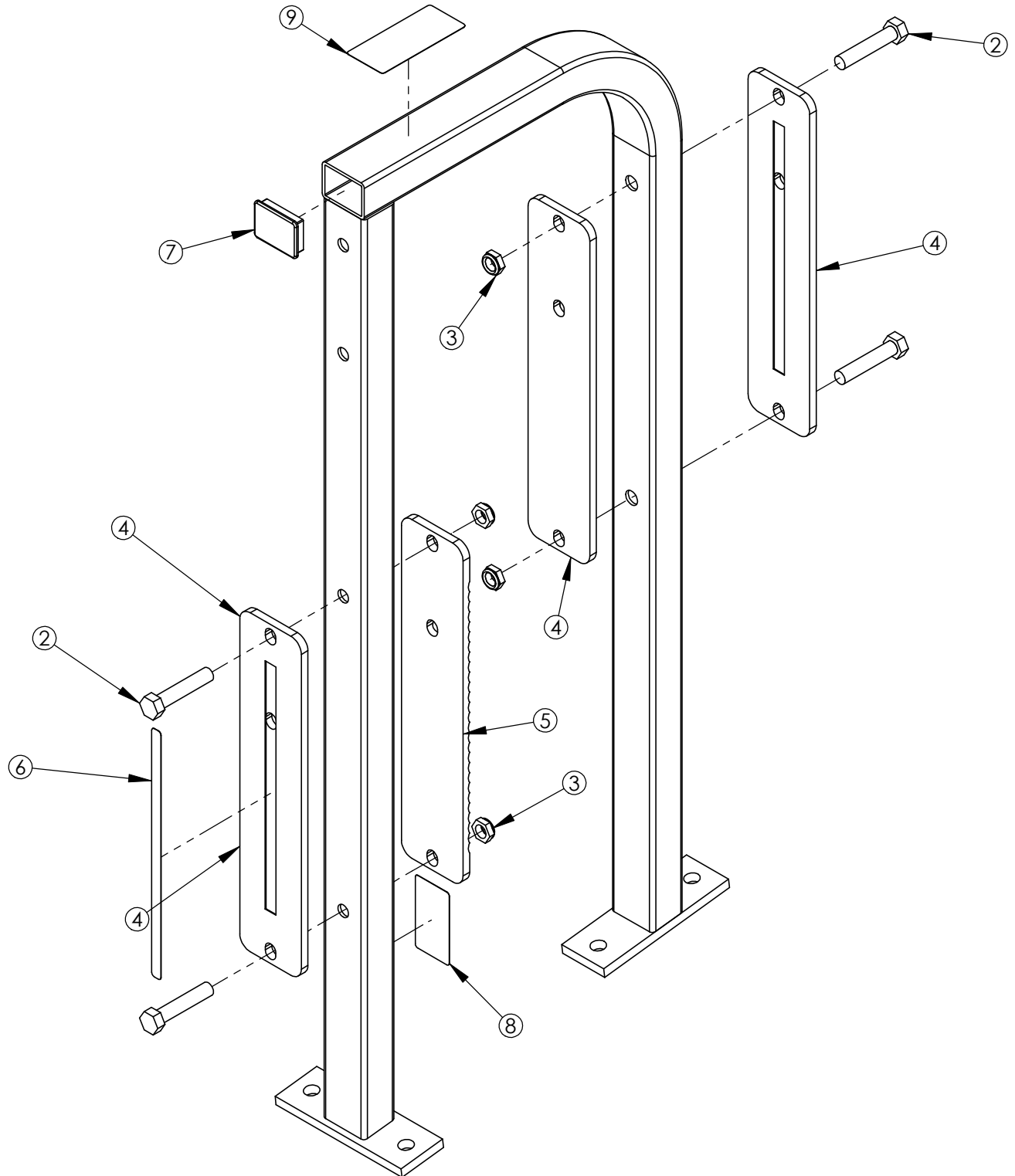
**HAMMER STRENGTH EQUIPMENT  
PLDIP-CSFL-1, ASSY, PLDIP, LEFT SIDE FRAME**



ITEM NO.	QTY.	PART NO.	DESCRIPTION
2	2	WASH.5SAE	1/2" SAE FLAT WASHER
3	2	NUT.5LOCK	1/2 DIA THICK LOCK NUT
4	2	WASH.5STAR	1/2" INTERNAL LOCK WASHER
5	2	HHB.5X4.5	1/2 X 4 1/2 BOLT
6	1	H-HPLUG (REG)	9/16IN HOLE PLUG
7	1	RC1530-1Q1	CAP:1-1/2 X 3 RECTANGLE PLUG
8	1	NONSKID 1 X 9	PLASTIC NON SKID STRIP 1 X 9
9	1	STAY CLEAR	STAY CLEAR DECAL
10	1	H-BUMP-MED	MM2 MEDIUM

WEIGHT = 40 lb  
 LENGTH = 60 1/4"  
 WIDTH = 6"  
 HEIGHT = 26 1/2"

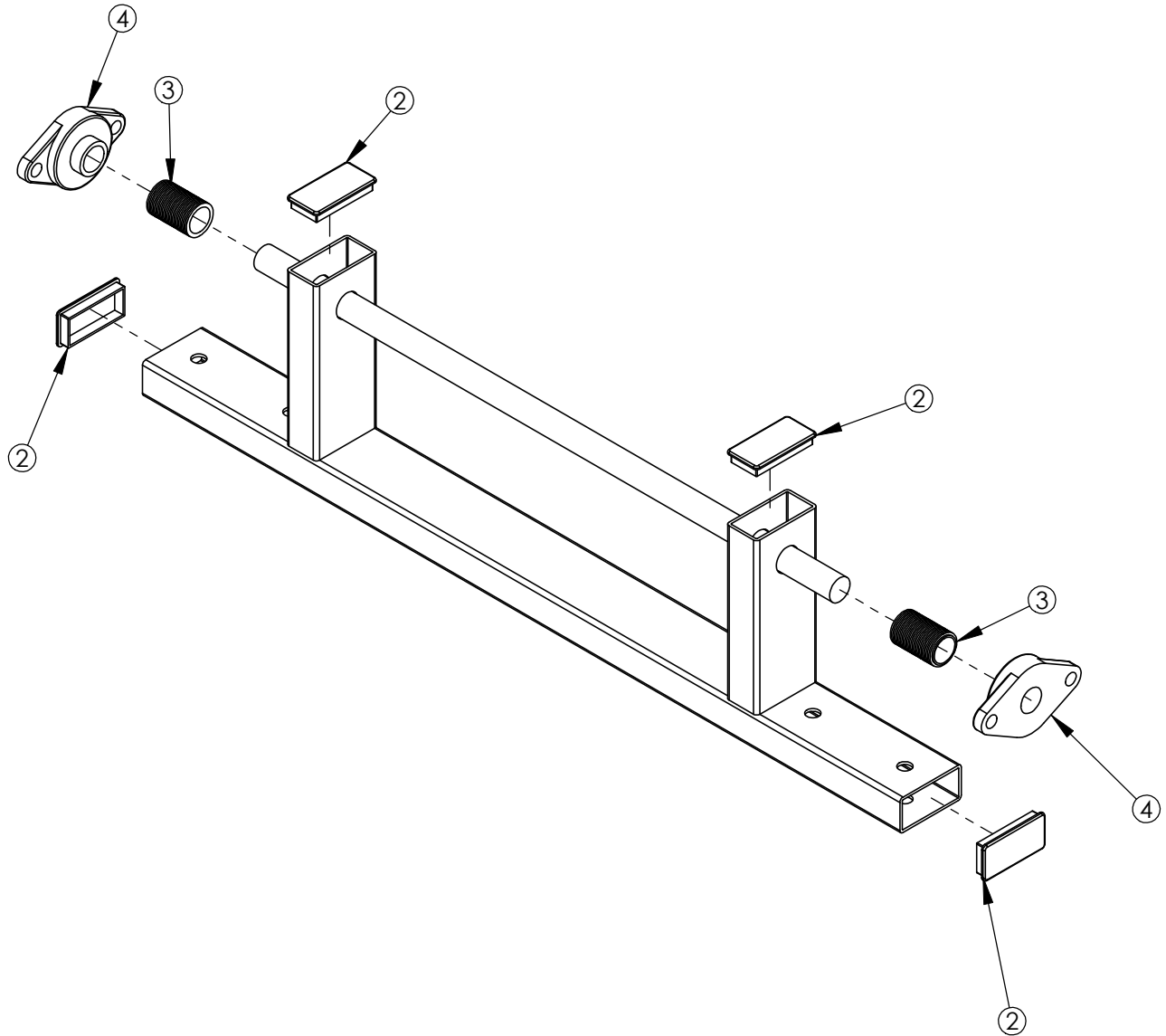
**HAMMER STRENGTH EQUIPMENT  
PLDIP-CST-0, ASSY, PLDIP, SEAT FRAME**



ITEM NO.	QTY.	PART NO.	DESCRIPTION
2	4	HHB.5X2.5	1/2 X 2 1/2 BOLT
3	4	NUT.5JAMLOCK	1/2 THIN LOCK NUT
4	3	H-SEATRCKS-N	PLASTIC SEAT GUIDES(PP229)NEW)
5	1	H-SEATRCKS-RIB	SEATRACK BACK
6	1	SEAT NUMBER	SEAT ADJ. NUMBER
7	1	RC1520-1Q1	CAP:1-1/2 X 2 RECTANGLE PLUG
8	1	SERIAL NUMBER	SERIAL NUMBER
9	1		NLA

WEIGHT =26 lb  
LENGTH = 18 1/8"  
WIDTH = 6"  
HEIGHT = 40"

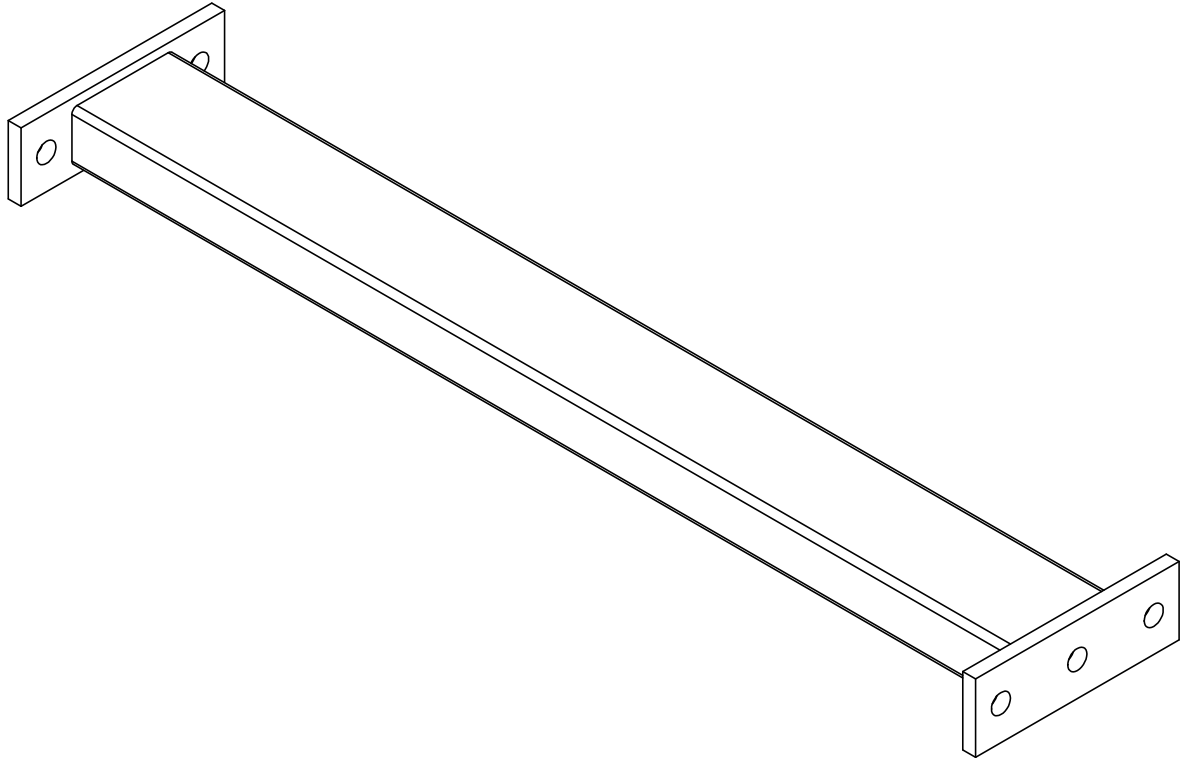
**HAMMER STRENGTH EQUIPMENT**  
**PLDIP-CTX-0, ASSY, PLDIP, TOP CROSSMEMBER**



ITEM NO.	QTY.	PART NO.	DESCRIPTION
2	4	RC1530-1Q1	CAP:1-1/2 X 3 RECTANGLE PLUG
3	2	ACCORDIAN	SHAFT GUARD
4	2	H-BEAR-SML	SMALL BEARING

WEIGHT = 22 lb  
 LENGTH = 37 1/4"  
 WIDTH = 3"  
 HEIGHT = 9"

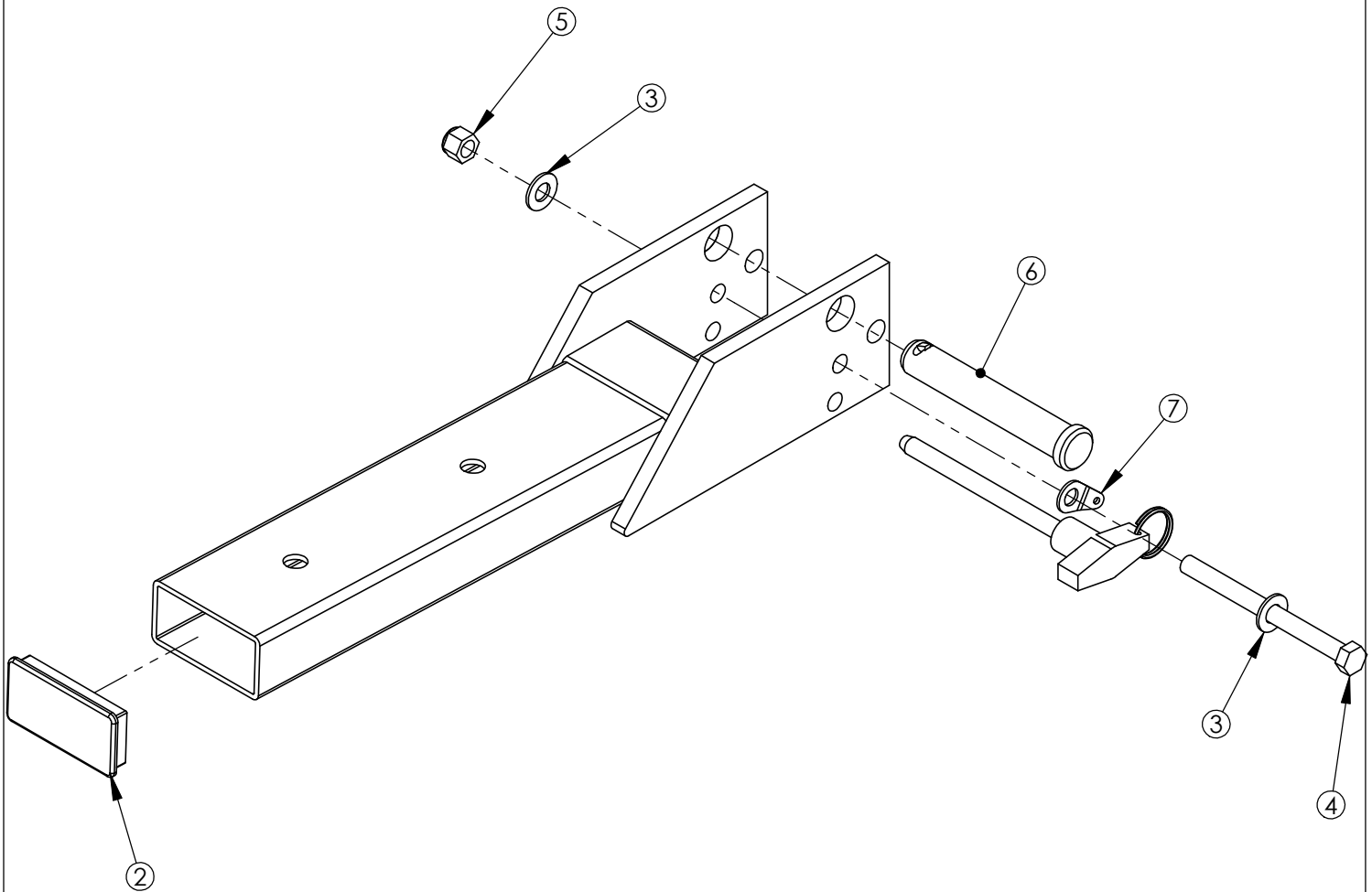
**HAMMER STRENGTH EQUIPMENT**  
**PLDIP-BX-0, WLDMT, PLDIP, BOTTOM X-MEM**



WEIGHT = 11 lb  
LENGTH = 28 1/2"  
WIDTH = 6"  
HEIGHT = 2"



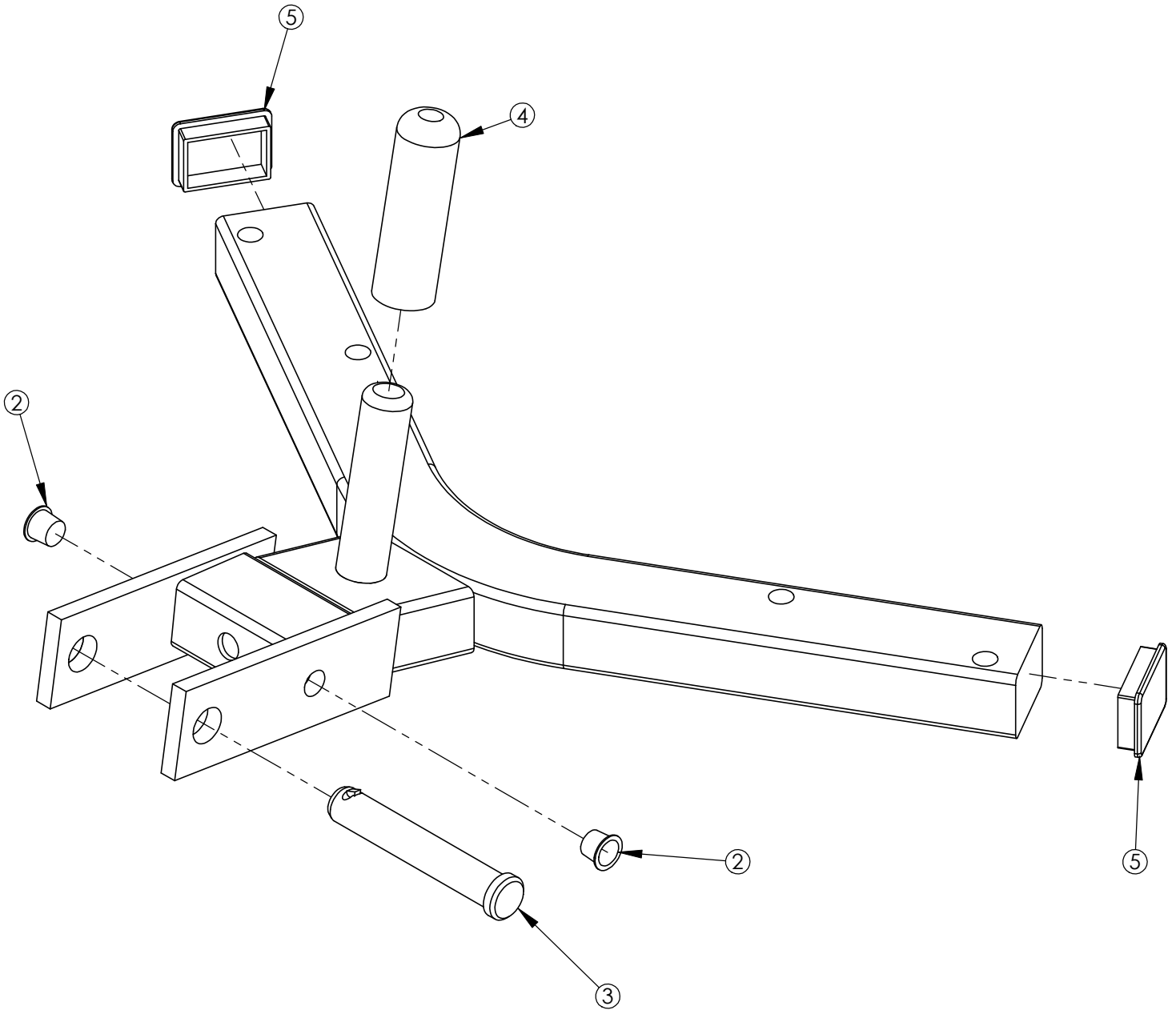
**HAMMER STRENGTH EQUIPMENT  
CSTD-ST-1, ASSY, STD ST**



ITEM NO.	QTY.	PART NO.	DESCRIPTION
2	1	RC1530-1Q1	CAP:1-1/2 X 3 RECTANGLE PLUG
3	2	WASH.375SAE	3/8" SAE FLAT WASHER
4	1	HHB.375X4.5	STEEL BOLT 3/8 X 4.5
5	1	NUT.375LOCK	3/8 THICK LOCK NUT
6	1	STD SEAT PIN	STD SEAT PIN
7	1	SELECTPIN	ASSY, STD SEAT SELECTOR PIN

WEIGHT = 9 lb  
 LENGTH = 17"  
 WIDTH = 4 3/4"  
 HEIGHT = 3"

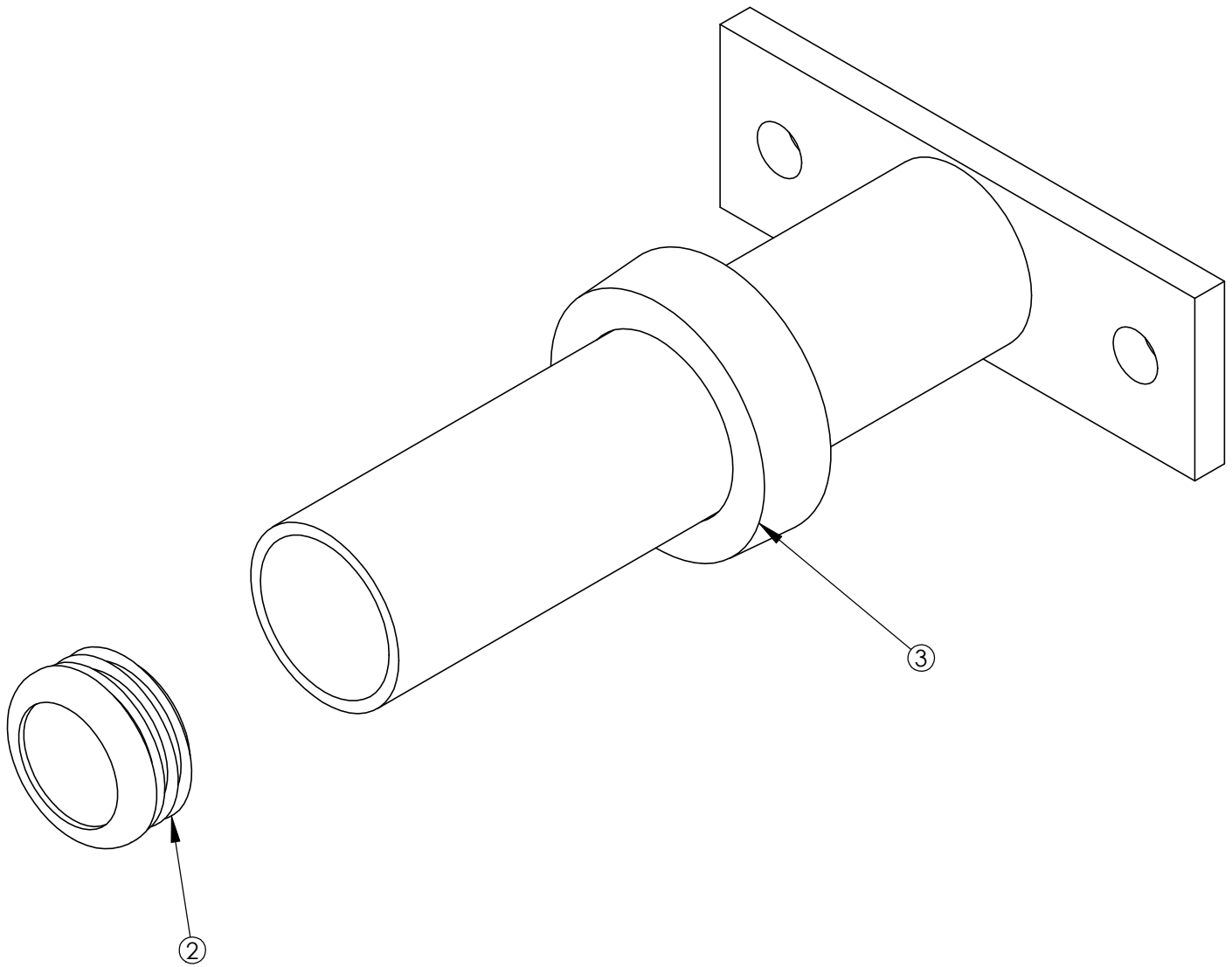
**HAMMER STRENGTH EQUIPMENT**  
**CST4-C01, ASSY, STD SEAT 4**



ITEM NO.	QTY.	PART NO.	DESCRIPTION
2	2	<b>H-PLUG (REG)</b>	9/16IN HOLE PLUG
3	1	<b>STD SEAT PIN</b>	<b>STD SEAT PIN</b>
4	1	<b>H-GRIP</b>	HANDLE GRIPS (.938X16)
5	2	<b>RC1520-1Q1</b>	CAP:1-1/2 X 2 RECTANGLE PLUG

WEIGHT = 11 lb  
 LENGTH = 16"  
 WIDTH = 22 1/4"  
 HEIGHT = 6"

**HAMMER STRENGTH EQUIPMENT**  
**H-HORN-ASSY, ASSY, WEIGHT HORN**



WEIGHT = 3 1/4 lb  
 LENGTH = 8 5/8"  
 WIDTH = 6"  
 HEIGHT = 3"

ITEM NO.	QTY.	PART NO.	DESCRIPTION
2	1	8078001	CAP, END 1.75 DIA RD 14-20 GA
3	1	H-RUBRNG	MM5 RING